



STAINLESS STEEL BALL VALVES

Two-Piece Full Bore

CAT. NO. 2500

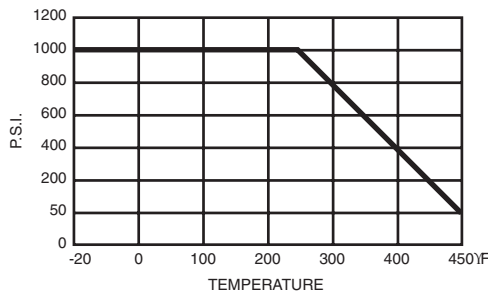


- For chemical and industrial applications
- Adjustable stem packing
- Design for easy actuator mounting
- Blow-out-proof stem design
- Body and end caps quality investment casting
- Padlocking Devices
- SUITABLE FOR ACTUATION
- **CSA 3.16 Certified** (minus 40°C) for Natural and Propane Gas. (Sizes 1/4" - 2")

SPECIFICATIONS

- Pressure Rating: 2000 psi WOG 1/4" to 1"
1500 psi WOG 1 1/4" to 2"
1000 psi WOG 2 1/2" to 3"
- End Types: NPT

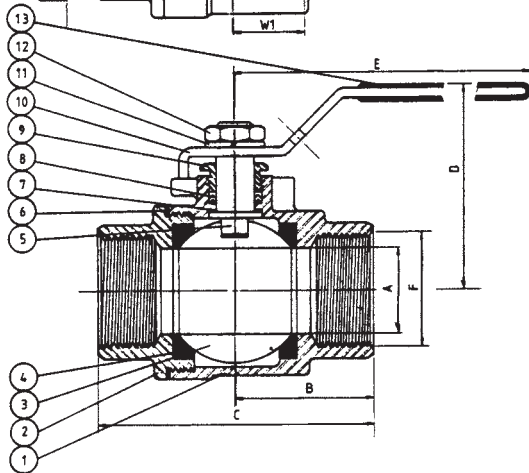
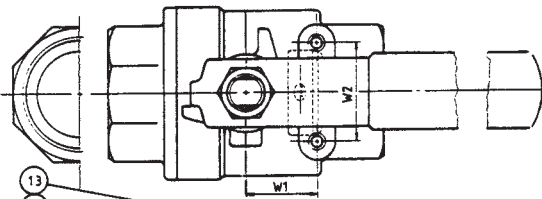
CAT. NO. 2500
Full Bore 1/4" - 3"



Material List

No.	Part Name	Specification	QTY.
1	Body	ASTM-A351-GRADE-CF8M	1
2	End Cap	ASTM-A351-GRADE-CF8M	1
3	Ball	ASTM-A351-GRADE-CF8M	1
4	Seat	TFM1600 * or RPTFE	2
5	Stem	SS316	1
6	Joint Gasket	TEFLON	1
7	Thrust Washer	REINFORCED TFE *	1
8	Stem Packing	TEFLON	1 Set
9	Packing Gland	SS304	1
10	Handle	SS304	1
11	Stem Washer	SS304	1
12	Stem Nut	SS304	1
13	Plastic Cover	PLASTIC	1
	Locking Device	SS304	

* TFM 1600 on sizes 1/4" - 2"



DIMENSIONS (mm)

Size	A	B	C	D	E	W1	W2	F	C _v Factor
1/4"	11.6	27.5	55	50	96	12.7	28.5	1/4" NPT	6
3/8"	12.7	27.5	55	50	96	12.7	28.5	1/4" NPT	7
1/2"	15	32.5	65	53	96	12.7	28.5	1/2" NPT	10
3/4"	20	38.5	77	64	125	22.4	35	3/4" NPT	25
1"	25	44	88	66	125	22.4	35	1" NPT	35
1 1/4"	32	51	102	79	170	25.4	38.1	1 1/4" NPT	46
1 1/2"	38	55	110	83	170	25.4	38.1	1 1/2" NPT	80
2"	50	63	126	94	170	25.4	38.1	2" NPT	110
2 1/2"	65	81.5	161.5	130	250	N/A	58	2 1/2" NPT	310
3"	80	89	178	148	250	N/A	70	3" NPT	360

* Note: Due to continuous development of our range of valves, we reserve the right to alter the dimensions and information contained in all our literature as required.

